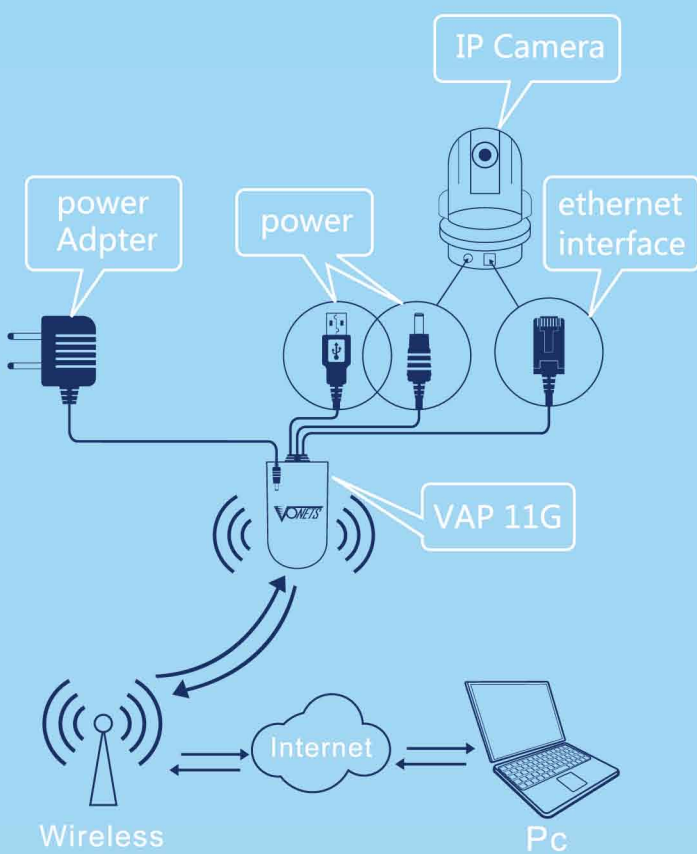


THE BEST PARTNER OF IP DEVICE

--VAP11G WIFI-Bridge



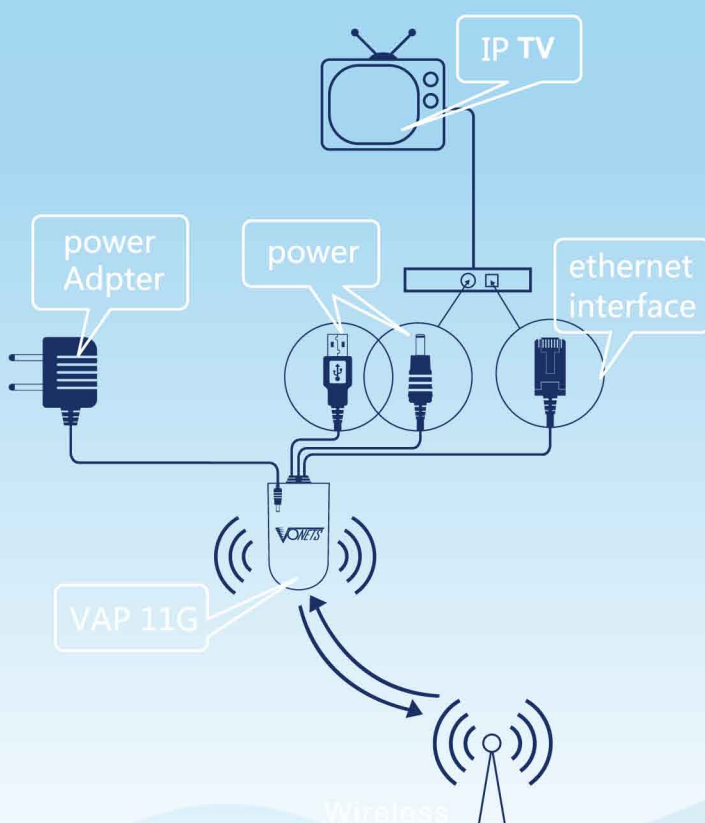
● VAP11G WiFi-Bridge IP monitoring solutions



VAP11G is developed by HouTian Technology, is 802.11B/G WiFi bridge that is provided network cable specifically for the emerging IP monitoring solution. The main feature is as below:

1. Input Voltage: DC5V-15V, Consumed power: Less than 1.5W
2. Three parallel DC power interface: DC2.5 power hole, DC2.0 power plug, USB interface (for taking electrical), it is convenient for customer to share power adapter with IP devices.
3. Small and light weight, easy to hang on the wall such as the location that the wire should not be.
4. Safe external, standard RJ45 ethernet connect, can be used for any IP access no need driver.
5. High stability, and excellent transmission performance of wireless networks to make sure the IP monitoring solutions to the perfect implementation.

● VAP11G WiFi-Bridge IP TV solutions



The main features is below:

1. Support WiFi model.
2. IEEE 802.11B/G WiFi compliant.
3. Support WEP (64 bit), WEP (128 bit), WPA, WPA2 Security access;
4. Support SSID broadcast
5. Frequency: 2.4GHz
6. The barrier-free wifi transmission distance is 100 meters
7. Three parallel DC power supply, take electrical interface
8. Small volume: 1.5cm*4.5cm*9cm